

PLATE A

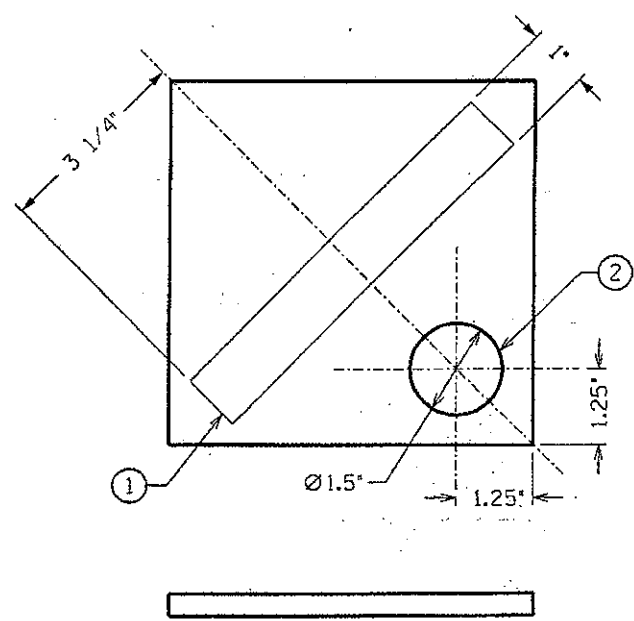


PLATE A COMMITTEE SUPPLIED

STEP 1 - LAYOUT PLATES PER THE DIMENSIONS PROVIDED.

STEP 2 - OXY-FUEL CUT ITEMS 1, 2 FROM PLATE A

NOTE:
THE USE OF FILES & GRINDERS WILL NOT BE PERMITTED.
ALL CUTS WILL BE SCORED IN THE AS-CUT CONDITION.

PLATE A	1 EA.	6" x 6" x 3/8" STL PLATE
ITEMS	QTY	MATERIAL
STATE SKILLS U.S.A.		
OXY FUEL LAYOUT & CUTTING		
DRAWN	B. WILLIAMS	DATE 1-24-08
CHK'D	D.K.	SCALE 1:3
MACH NO.	L.O.C.	SW- 2012-012
		A